

VICINITY MAP

PRELIMINARY PLAN

THE VILLAGE @ GOVERNOR'S LAKE

GUYTON HILL, LLC FANT, REICHERT, & FOGLEMAN, INC.
 OWNER ENGINEER

No. ACRES: 14.3 MILES OF NEW ROAD: 0.3
 No. LOTS: 38 DATE: 11-14-05

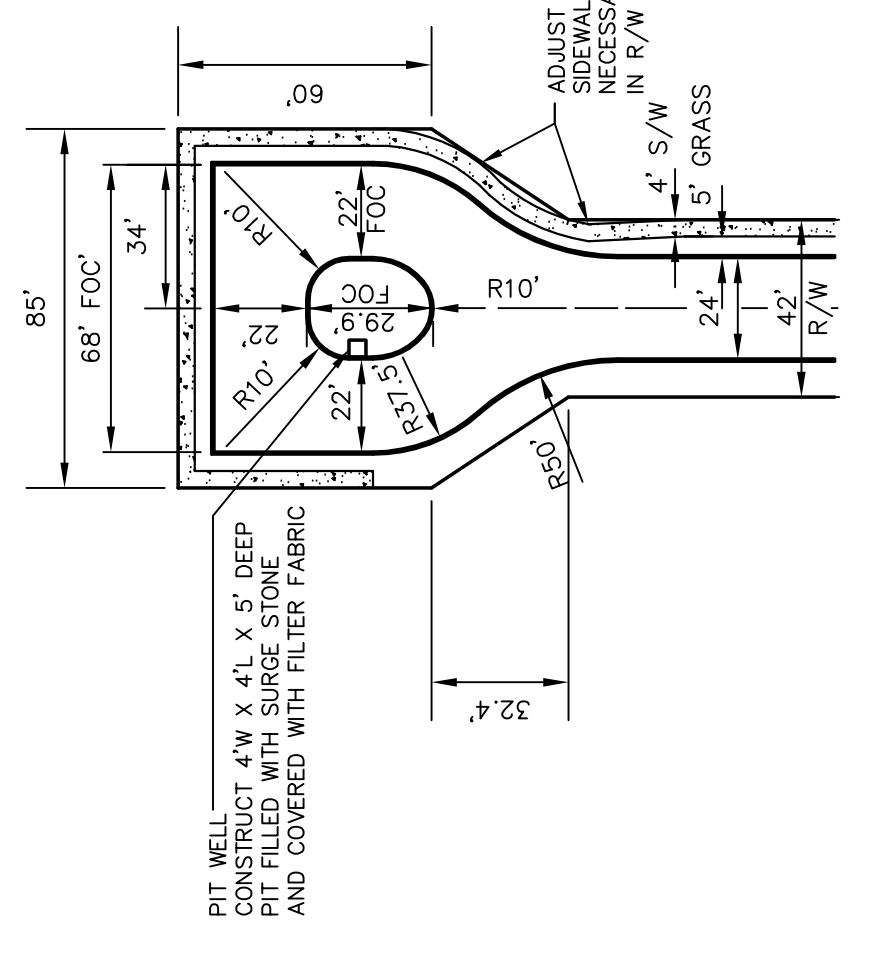
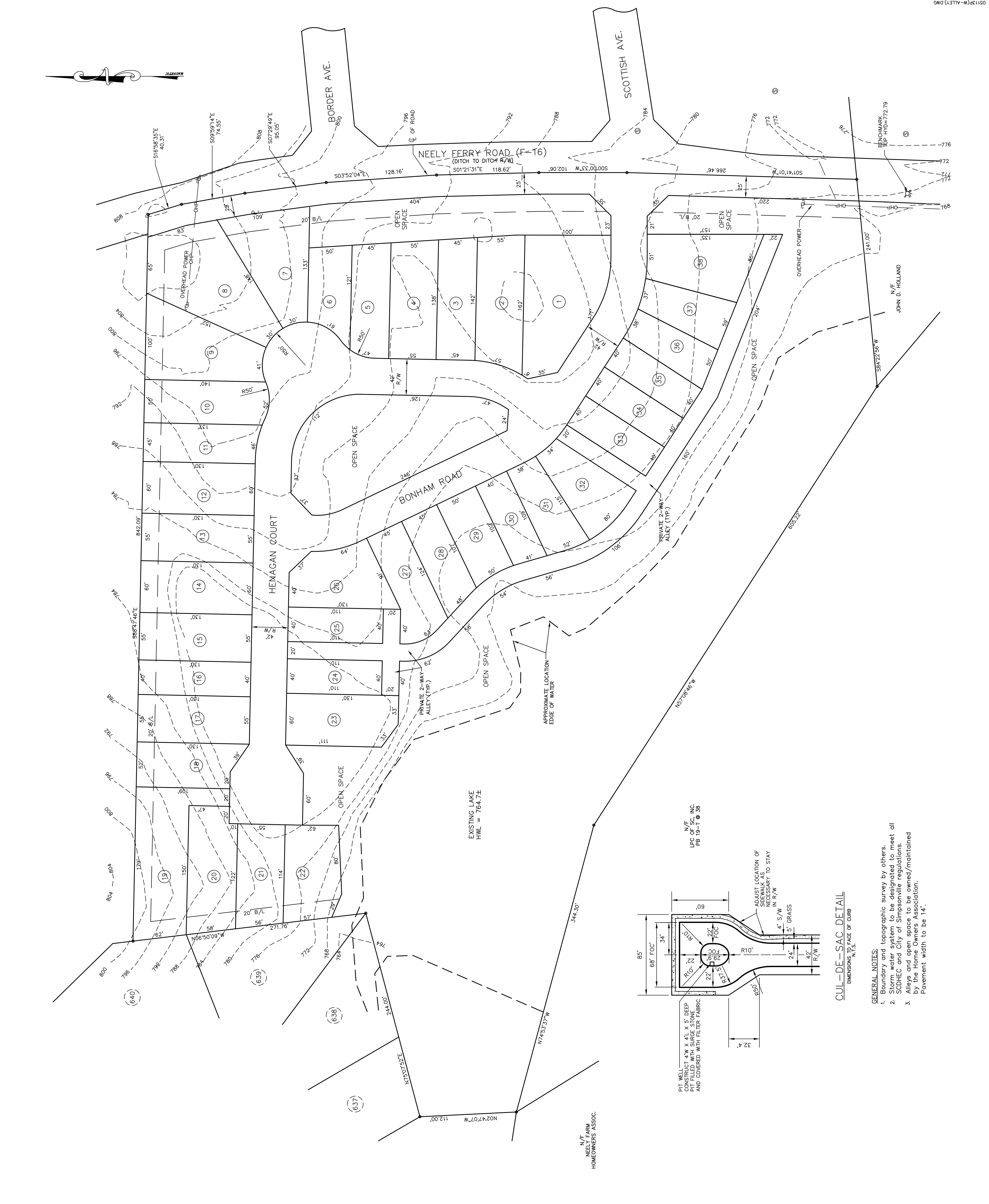
Scale: 1" = 50'

REVISIONS

No.	DATE	DESCRIPTION
1		
2		
3		
4		
5		
6		

BY: **FRF** FANT, REICHERT & FOGLEMAN, INC.
 725 LAWRENCE HILL ROAD, GREENVILLE, SC 29607
 ENGINEERING & SURVEYING

DRAWN BY: ERW PROJECT NO. 05113



- GENERAL NOTES:**
1. Boundary and topographic survey by others.
 2. Storm water system to be designated to meet all SCDHEC and City of Simpsonville regulations.
 3. Alleys and open space to be owned/maintained by the Home Owners Association. Pavement width to be 14'.