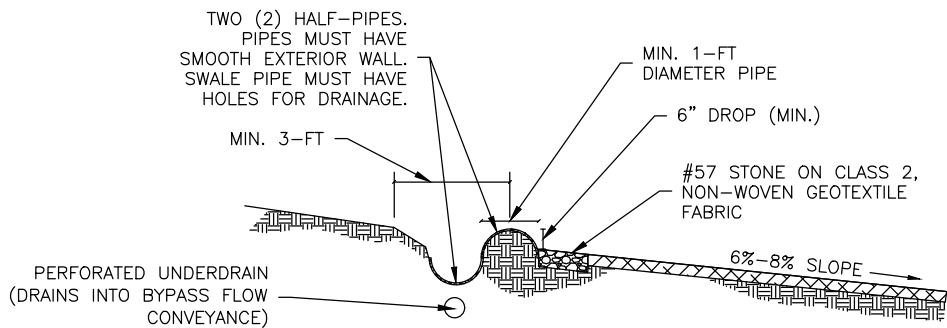
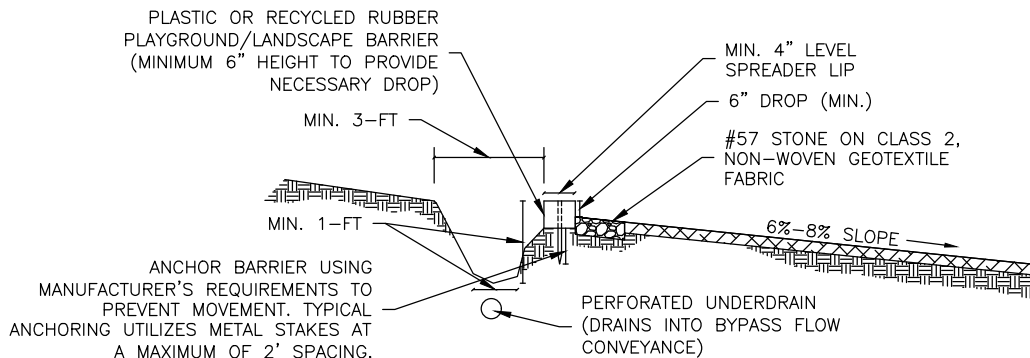


POURED CONCRETE LEVEL SPREADER (ALL SITES)  
PROFILE VIEW



HALF-PIPE LEVEL SPREADER (RESIDENTIAL ONLY)  
PROFILE VIEW



MANUFACTURED BARRIER LEVEL SPREADER (RESIDENTIAL ONLY)  
PROFILE VIEW

**NOTES:**

- LEVEL SPREADER TROUGH/FOREBAY MUST BE SIZED TO HANDLE REQUIRED RUNOFF WITHOUT BACKING UP INTO BUILDING AREAS OR ROADWAYS.
- POURED CONCRETE LEVEL SPREADER IS APPLICABLE FOR ALL SITES.
- ALTERNATIVE MATERIAL LEVEL SPREADERS (HALF-PIPE AND MANUFACTURED BARRIER) ARE APPLICABLE FOR RESIDENTIAL SITES ONLY.
- ALTERNATIVE MATERIALS MUST BE ANCHORED IN PLACE USING PINS, EARTH ANCHORS, STONE FILL, CONCRETE, OR OTHER LONG-TERM ANCHORING STRATEGIES.
- POURED CONCRETE LEVEL SPREADER SHOULD USE AN APPROPRIATELY SIZED CONCRETE FOOTER TO STABILIZE A MINIMUM 1-FOOT WIDE CAST IN PLACE LIP AT 0% GRADE.
- HALF-PIPE LEVEL SPREADERS SHOULD BE MADE FROM MANUFACTURED PIPE SECTIONS WITH MINIMUM 1-FOOT DIAMETER, ANCHORED FLUSH AT 0% GRADE.
- PLASTIC OR RECYCLED RUBBER MANUFACTURED BARRIERS SHOULD BE ANCHORED SECURELY IN PLACE AT 0% GRADE WITH NO GAPS BETWEEN SECTIONS.
- CONSULT SPECIFICATION WQ-13 AND DETAIL WQ-13A FOR DESIGN REQUIREMENTS FOR LEVEL SPREADER TREATMENT TRAIN, UNDERDRAIN, AND OTHER FEATURES OF LEVEL SPREADER.

LEVEL SPREADER LIP SPECIFICATIONS	
RESIDENTIAL OR NON-RESIDENTIAL?	REQUIRED MATERIALS & DIMENSIONS

LEVEL SPREADER SWALE SPECIFICATIONS	
LINING MATERIALS	REQUIRED MATERIALS & DIMENSIONS



**Greenville County**  
**Storm Water Management**

LEVEL SPREADER

STANDARD DRAWING NO.

WQ-13B

APPROVED BY:

GREENVILLE COUNTY STORM WATER MANAGEMENT

March 2020  
DATE