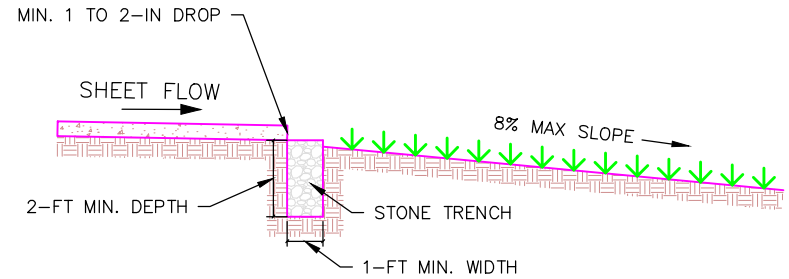
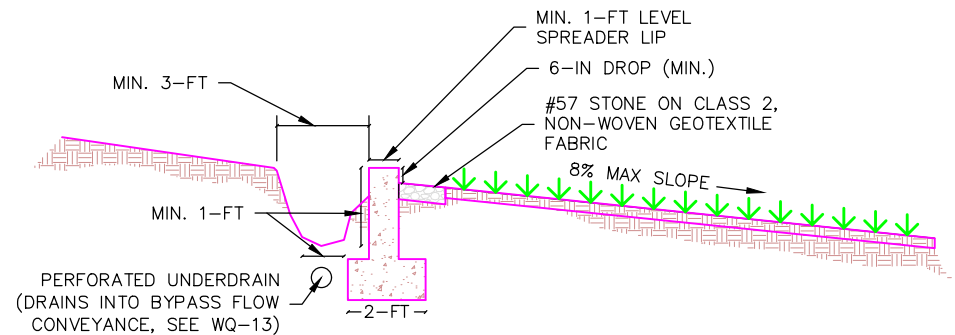


GENERAL VFS SCHEMATIC



FOR SHEET (NON-CONCENTRATED) FLOW LENGTH < 25-FT TO VFS, STONE TRENCH MAY BE USED



FOR CONCENTRATED FLOW OR SHEET FLOW LENGTH 25-FT OR GREATER TO VFS, CONSTRUCT LEVEL SPREADER PER WQ-13*

*POURED CONCRETE LEVEL SPREADER SHOWN, OTHER INSTALLATION METHODS FROM WQ-13 MAY BE APPLICABLE BASED ON SITE CLASSIFICATION

NOTES:

- PREFERRED INSTALLATION OF VEGETATION FOR VFS IS SODDING WITH TURF GRASS SOD.
- DO NOT USE BERMUDA GRASS FOR VFS APPLICATIONS.
- DO NOT REMOVE TREES TO CREATE THE NECESSARY VFS AREA.
- NATURAL VEGETATION MAY BE USED FOR VFS IF IT CONSISTS OF EXISTING DENSE HERBACEOUS VEGETATION WITH MINIMUM COVER OF 90%, SLOPES ARE ACCEPTABLE, AND COUNTY APPROVAL IS GIVEN.
- VEGETATION MUST BE ESTABLISHED PRIOR TO VFS RECEIVING FLOW.
- VEGETATION SHOULD BE MAINTAINED AT A HEIGHT OF 3 TO 6 INCHES.



Greenville County
Storm Water Management

VEGETATED FILTER STRIP

STANDARD DRAWING NO. WQ-12

APPROVED BY: GREENVILLE COUNTY STORM WATER MANAGEMENT DATE: March 2020