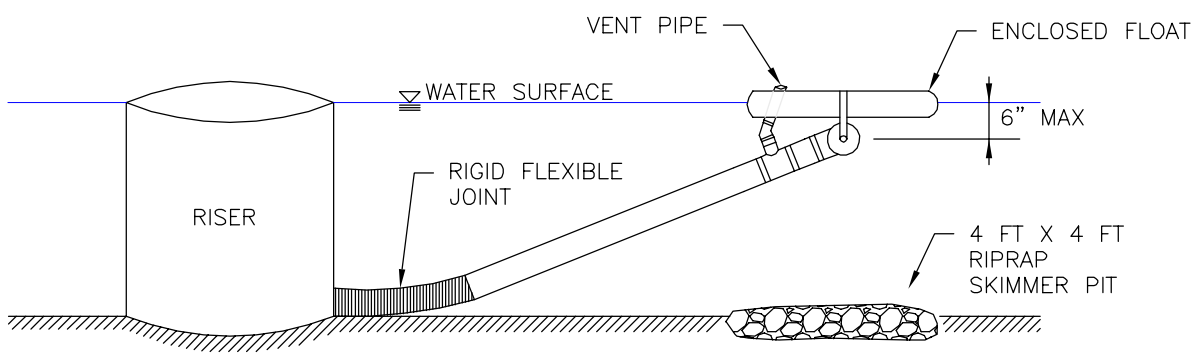


FLOATING SKIMMER DETAIL (NTS)



FLOATING SKIMMER/RISER PROFILE VIEW

SCALE: NONE

Greenville County
Storm Water Management

FLOATING SKIMMER

STANDARD DRAWING NO. SC-10

APPROVED BY: _____ DATE: January, 2018
 GREENVILLE COUNTY STORM WATER MANAGEMENT