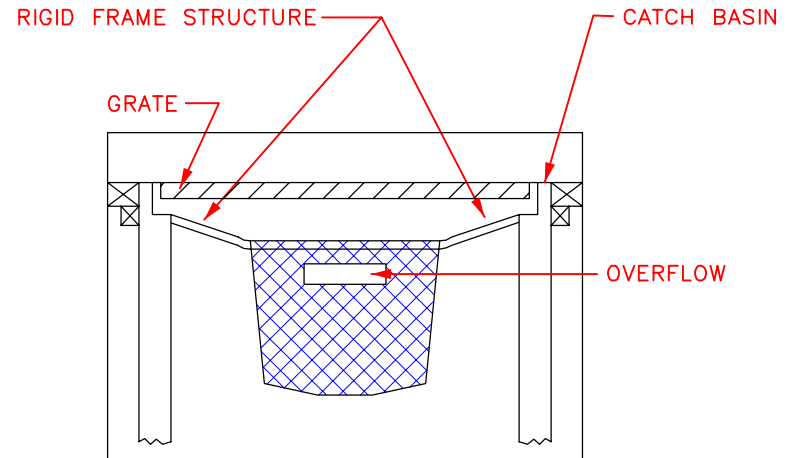
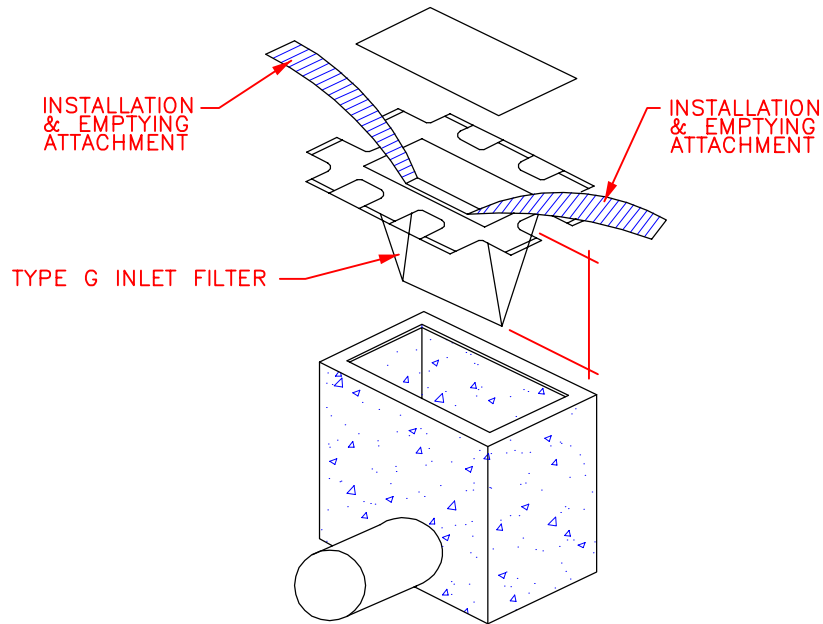


INSTALLATION DETAIL



TYPE G INLET FILTER



TYPE G INLET FILTER DETAIL
NTS

NOTES:

1. INSTALL TYPE G INLET FILTERS IN ACCORDANCE TO MANUFACTURERS RECOMMENDATIONS



Greenville County
Storm Water Management

INLET FILTER TYPE G

STANDARD DRAWING NO. SC-07G

APPROVED BY: _____ DATE: January, 2018
GREENVILLE COUNTY STORM WATER MANAGEMENT