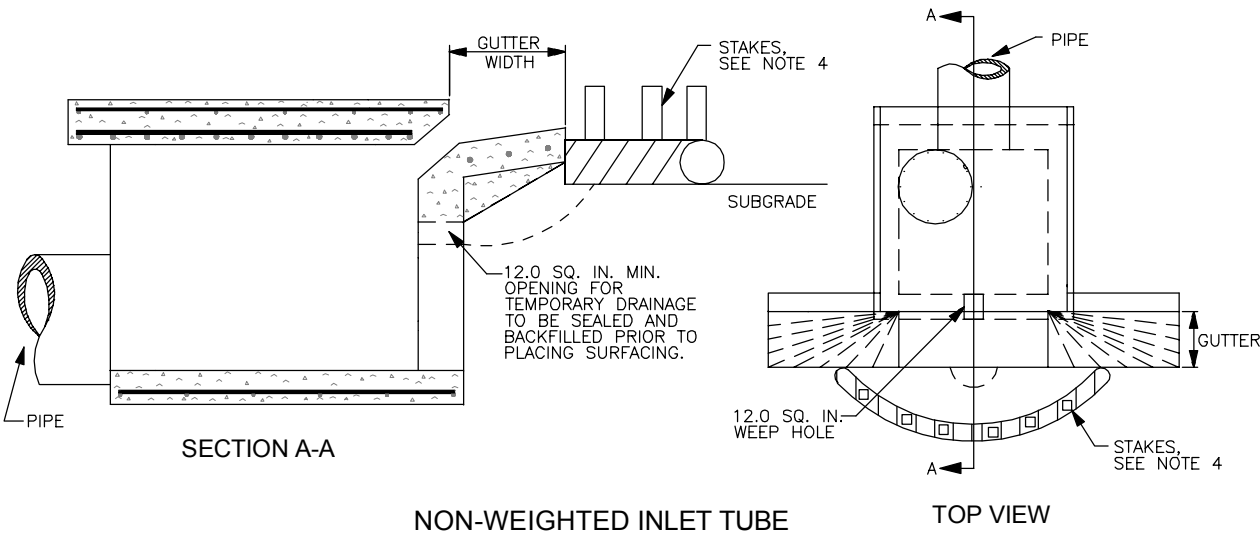


SECTION A-A

TOP VIEW

WEIGHTED INLET TUBE



SECTION A-A

TOP VIEW

NON-WEIGHTED INLET TUBE

NOTES:

1. DRAWING SHOWS TYPE 16 CATCH BASIN.
2. NON-WEIGHTED TUBES WILL BE INSTALLED IMMEDIATELY AFTER GRADING AND CONSTRUCTION OF CATCH BASIN BOX. SEDIMENT TUBE WILL BE MAINTAINED DURING SUBGRADE AND BASE PREPARATION UNTIL BASE COURSE IS PLACED. THEY ARE APPLICABLE FOR CATCH BASIN TYPES 1, 16, 17, AND 18 WITH DRAINAGE AREAS LESS THAN 1 ACRE.
3. INLET TUBES MAY BE TEMPORARILY MOVED DURING CONSTRUCTION AS NEEDED.
4. NON WEIGHTED SEDIMENT TUBES WILL BE STAKED DOWN WITH 3/4 INCH X 3/4 INCH WOODEN STAKES (MINIMUM DIMENSION 3/4 INCH X 3/4 INCH, MAXIMUM DIMENSION 2 INCHES X 2 INCHES) OR 1.25 LBS/ LINEAR FOOT STEEL POSTS A MINIMUM OF 3 FEET IN LENGTH PLACED ON 2 FOOT CENTERS. THE STAKES WILL BE DRIVEN INTO THE GROUND A MINIMUM OF 2 FEET OR TO THE MAXIMUM EXTENT PRACTICABLE. INSTALL NON-WEIGHTED INLET TUBES SO THE TOP OF THE TUBE IS BELOW THE TOP OF THE INSTALLED CURB LINE TO ENSURE THAT ALL OVERFLOW OR OVERTOPPING WATER HAS THE ABILITY TO ENTER THE INLET UNOBSTRUCTED.
5. THE STAKES WILL BE INTERTWINED WITH THE OUTER MESH ONLY AND WILL BE PLACED ON THE DOWNSTREAM SIDE OF THE TUBE. REFER TO MANUFACTURER'S RECOMMENDATIONS FOR OTHER STAKING DETAILS.
6. AFTER ROAD BASE COURSE IS PLACED, WEIGHTED INLET TUBES WILL BE PLACED FOR CATCH BASIN TYPES 1, 9, 12, 14, 15, 16, 17, & 18, DI 24 INCHES X 24 INCHES, DI 24 INCHES X 36 INCHES, MANHOLES, AND TRENCH DRAINS. WEIGHTED INLET TUBES ARE APPLICABLE WHERE CONSTRUCTION TRAFFIC MAY OCCUR AROUND THE INLET.
7. INSTALL WEIGHTED INLET TUBES LYING FLAT ON THE GROUND WITH NO GAPS BETWEEN THE UNDERLYING SURFACE AND THE TUBE.
8. DO NOT COMPLETELY BLOCK INLETS WITH INLET TUBES. INSTALL WEIGHTED INLET TUBES IN SUCH A MANNER THAT ALL OVERFLOW CAN ENTER THE INLET UNOBSTRUCTED. TO AVOID POSSIBLE FLOODING, 2 OR 3 CONCRETE CINDER BLOCKS MAY BE PLACED BETWEEN THE WEIGHTED INLET TUBE AND THE INLET.
9. FOR WEEP HOLE APPLICATIONS, BOTH WEIGHTED AND NON-WEIGHTED INLET TUBES ARE APPLICABLE.
10. ALL WEIGHTED TYPE F INLET STRUCTURE FILTERS ARE APPLICABLE AS TYPE E INLET STRUCTURE FILTERS.
11. REPLACE INLET TUBES DURING INSTALLATION AS DIRECTED BY THE ENGINEER, INSPECTOR, OR MANUFACTURER'S REPRESENTATIVE AT THE CONTRACTOR'S EXPENSE.
12. ALL TYPE F INLET FILTERS WILL BE INSPECTED EVERY 7 CALENDAR DAYS.



**Greenville County
Storm Water Management**

INLET FILTER TYPE F

STANDARD DRAWING NO.

SC-07F

APPROVED BY:

GREENVILLE COUNTY STORM WATER MANAGEMENT

January, 2018

DATE