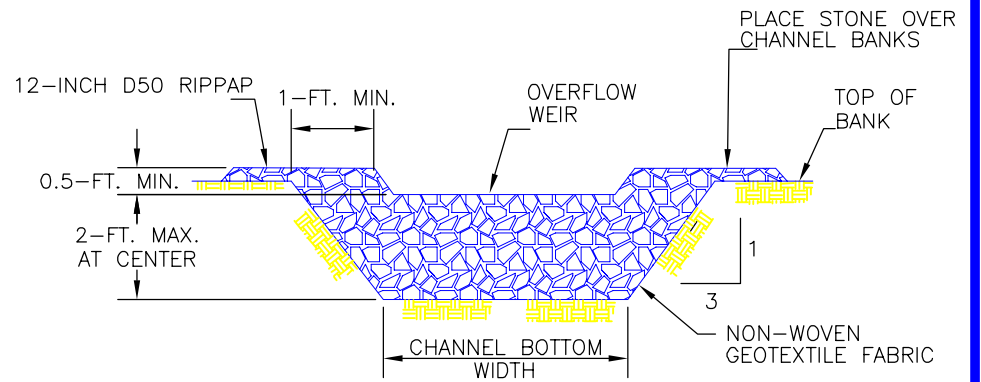
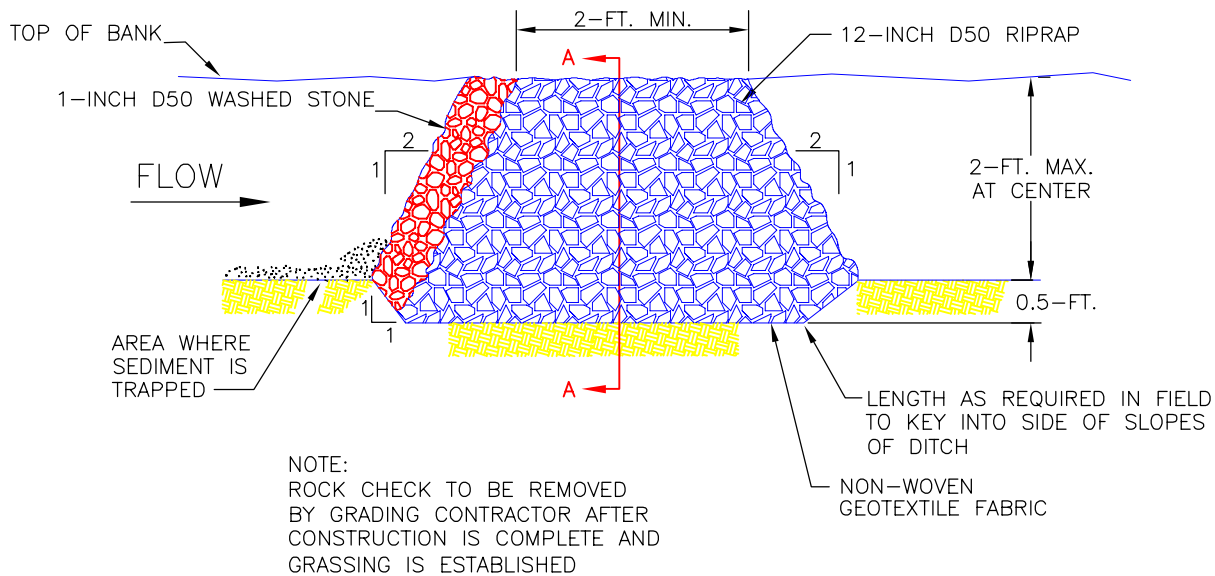


SPACING BETWEEN DITCH CHECK



CROSS SECTION A-A THRU STONE DITCH CHECK



TYPICAL DITCH CHECK SECTION



Greenville County
Storm Water Management

ROCK DITCH CHECK

STANDARD DRAWING NO.

SC-04

APPROVED BY:

GREENVILLE COUNTY STORM WATER MANAGEMENT

January, 2018

DATE