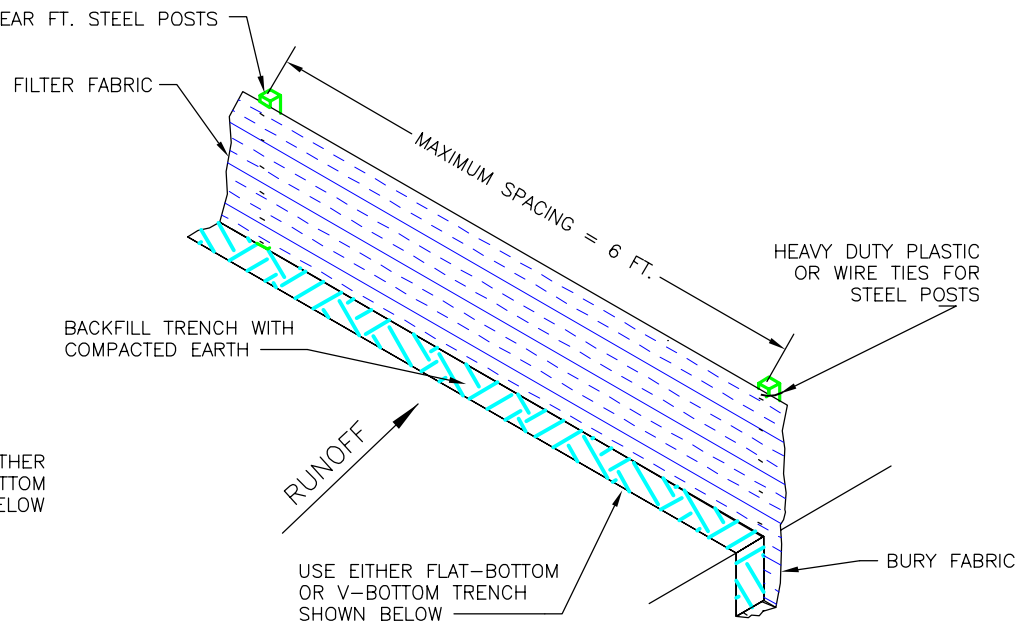
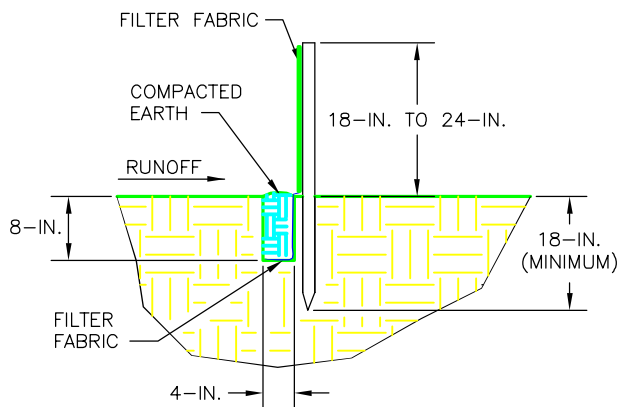


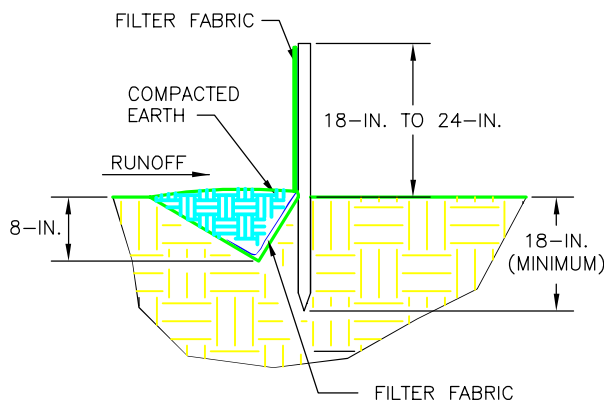
DOUBLE ROW SILT FENCE DETAIL



SILT FENCE INSTALLATION



FLAT-BOTTOM TRENCH DETAIL



V-SHAPED TRENCH DETAIL



**Greenville County
Storm Water Management**

SILT FENCE

STANDARD DRAWING NO.

SC-03A

APPROVED BY: GREENVILLE COUNTY STORM WATER MANAGEMENT

January, 2018
DATE