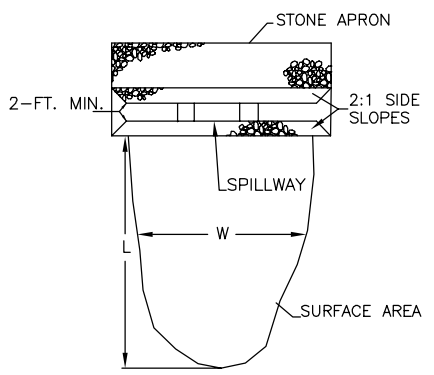
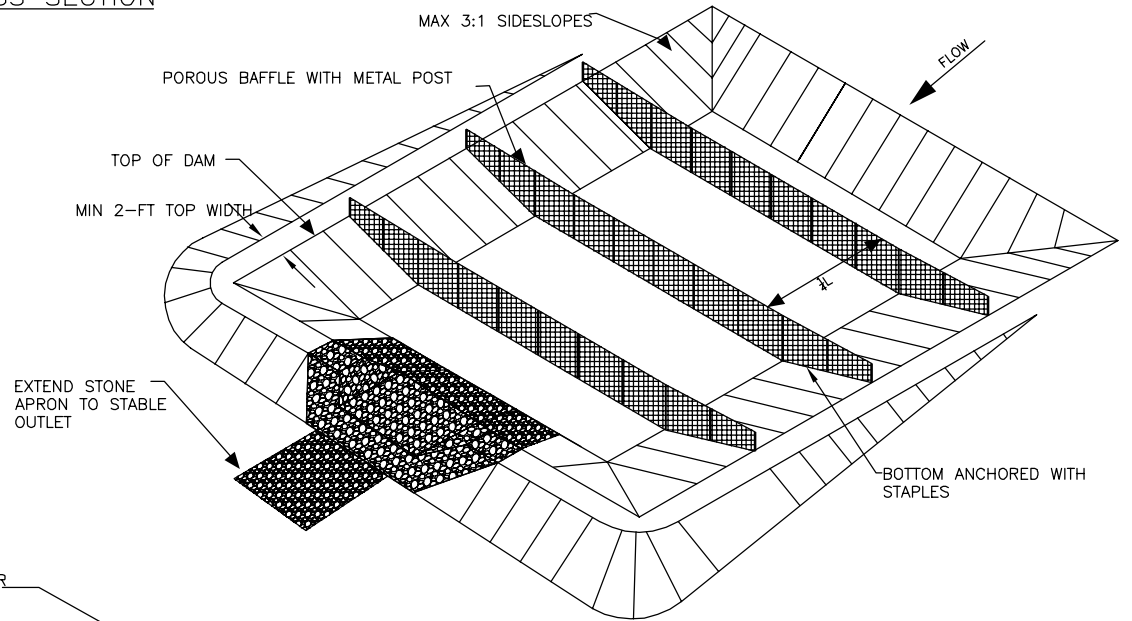


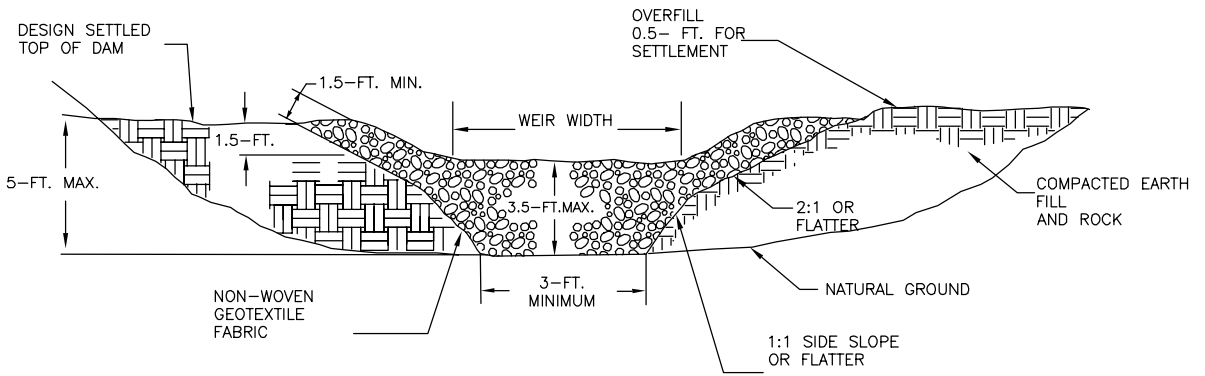
SEDIMENT TRAP CROSS SECTION




PLAN VIEW



PERSPECTIVE VIEW



EMBANKMENT AND SPILLWAY

	Greenville County Storm Water Management	
	SEDIMENT TRAP	
STANDARD DRAWING NO.	SC-02	
APPROVED BY: _____	January, 2018 DATE	
GREENVILLE COUNTY STORM WATER MANAGEMENT		