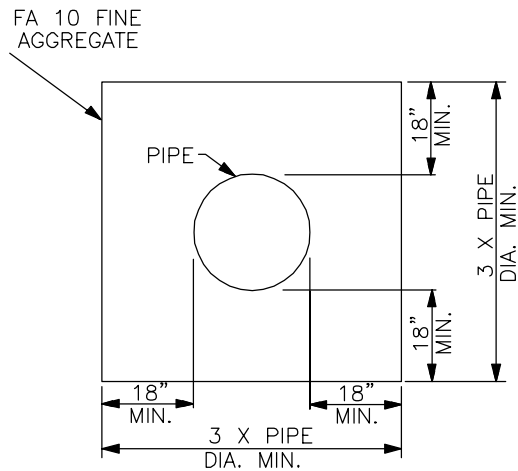
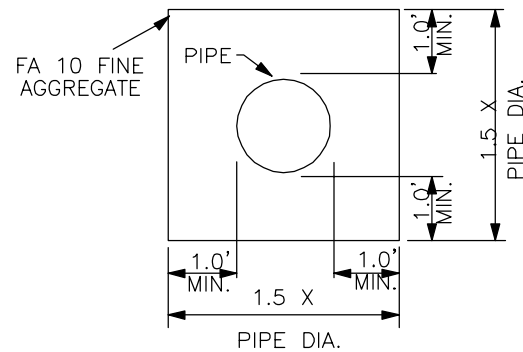



SEDIMENT BASIN PROFILE



SECTION A-A THRU AGGREGATE DIAPHRAGM OR ANTI-SEEP COLLAR



SECTION B-B THRU AGGREGATE DRAIN


Greenville County Storm Water Management

SURFACE OUTLET & BAFFLE SEDIMENT BASIN

STANDARD DRAWING NO. SC-01 Page 2 of 3

APPROVED BY: _____ DATE: January, 2018
 GREENVILLE COUNTY STORM WATER MANAGEMENT