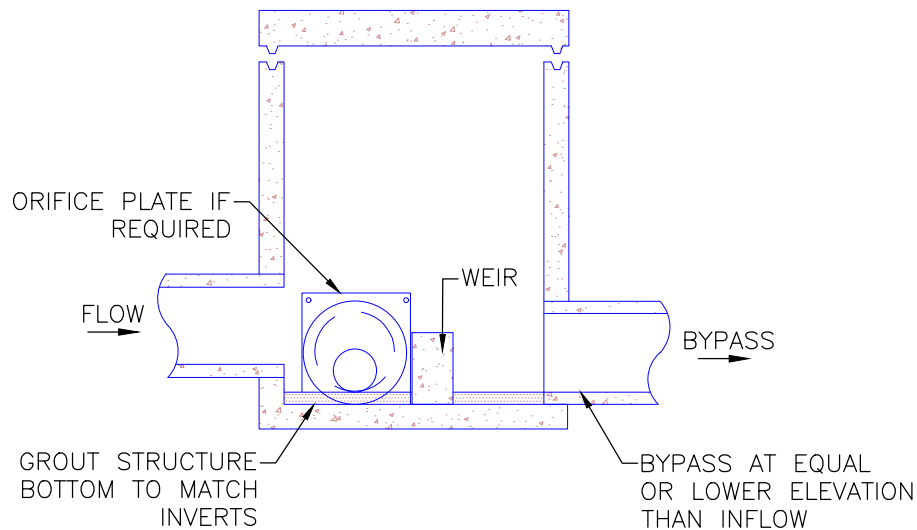


PLAN



SECTION X-X

NOTES:

1. ALL CONCRETE WILL BE 4000 PSI.
2. ALL JOINTS ARE TO BE SEALED WATER TIGHT.
3. WEIR IS TO BE POURED-IN-PLACE CONCRETE.



Greenville County
Storm Water Management

FLOW SPLITTER

STANDARD DRAWING NO. RC-06

APPROVED BY: _____ March 2020
 GREENVILLE COUNTY STORM WATER MANAGEMENT DATE

NOT TO SCALE