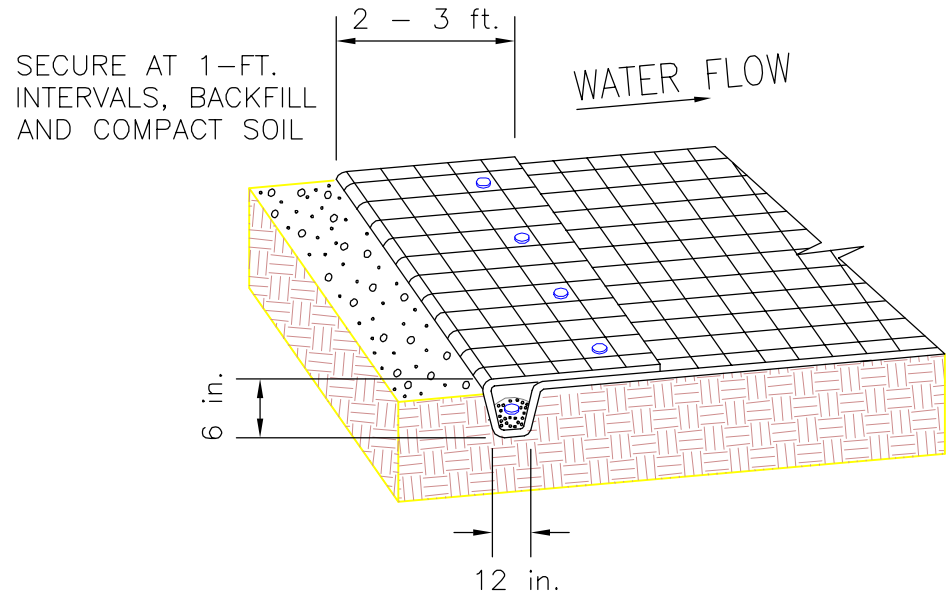
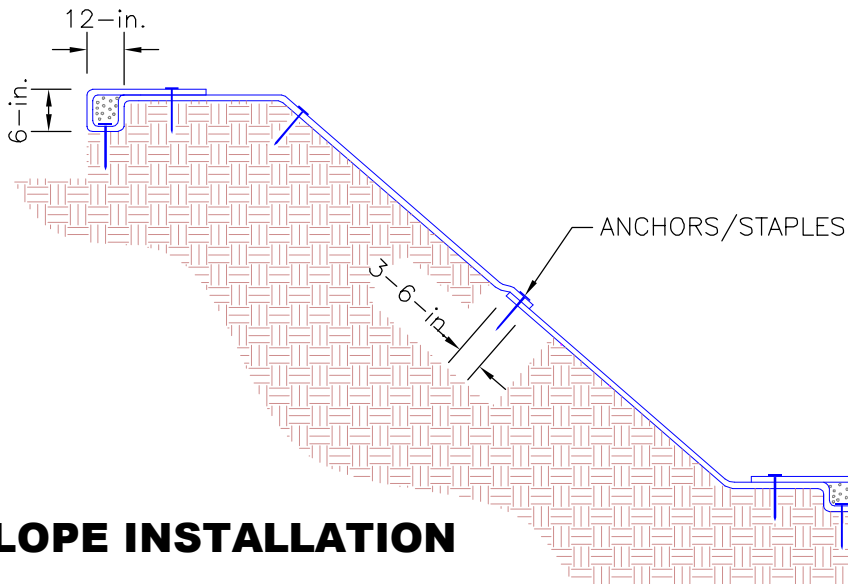



INITIAL ANCHOR TRENCH APPLICATION



TERMINAL ANCHOR TRENCH APPLICATION



SLOPE INSTALLATION

	Greenville County Storm Water Management
	RECP – SLOPE INSTALLATION
STANDARD DRAWING NO.	EC-04B
APPROVED BY: _____	January, 2018 DATE
GREENVILLE COUNTY STORM WATER MANAGEMENT	