

Name and Post Office Address of Grantor Franklin & Catherine Brown
Route 2

Greenville, South Carolina

Toll Line _____ (Name)
or
Exchange Line Woodruff Road Office of Greenville Exchange
tributary to _____ (Exchange)

The Property is bounded where the line enters and leaves this property by the property of

Paul J. & Willie J. Verdin on the North
Alfred D. & Linda Ann Tanner on the South

Authority S-7291 Classification 945-C

Area South Carolina

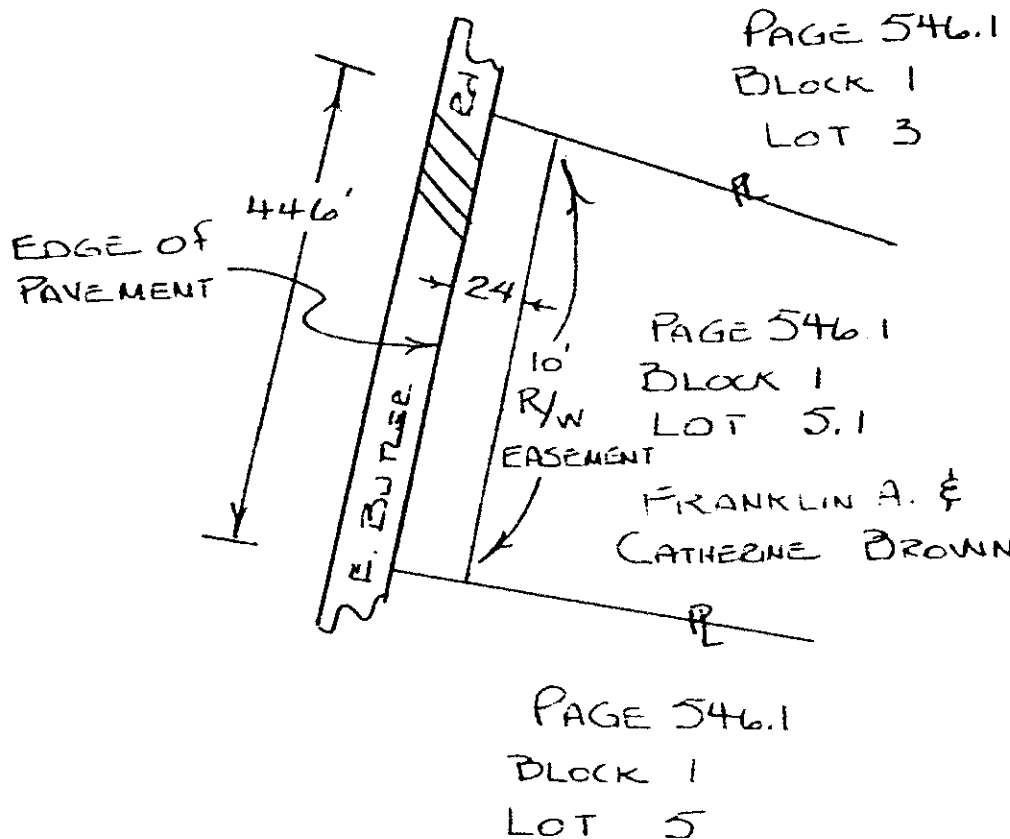
Approved _____

Title District Engineer

NORTH



Right of Way Easement



NOV 1 1974
11454
TO
Franklin & Catherine Brown

RECORDED NOV 1 '74 11454

Filed for record in the office of
the R. M. C. for Greenville
county, S. C. at 11:28 o'clock
A. M. Nov. 1, 19 74
and recorded in Deed Book
1009 at page 671
R. M. C. for G. Co. S. C.