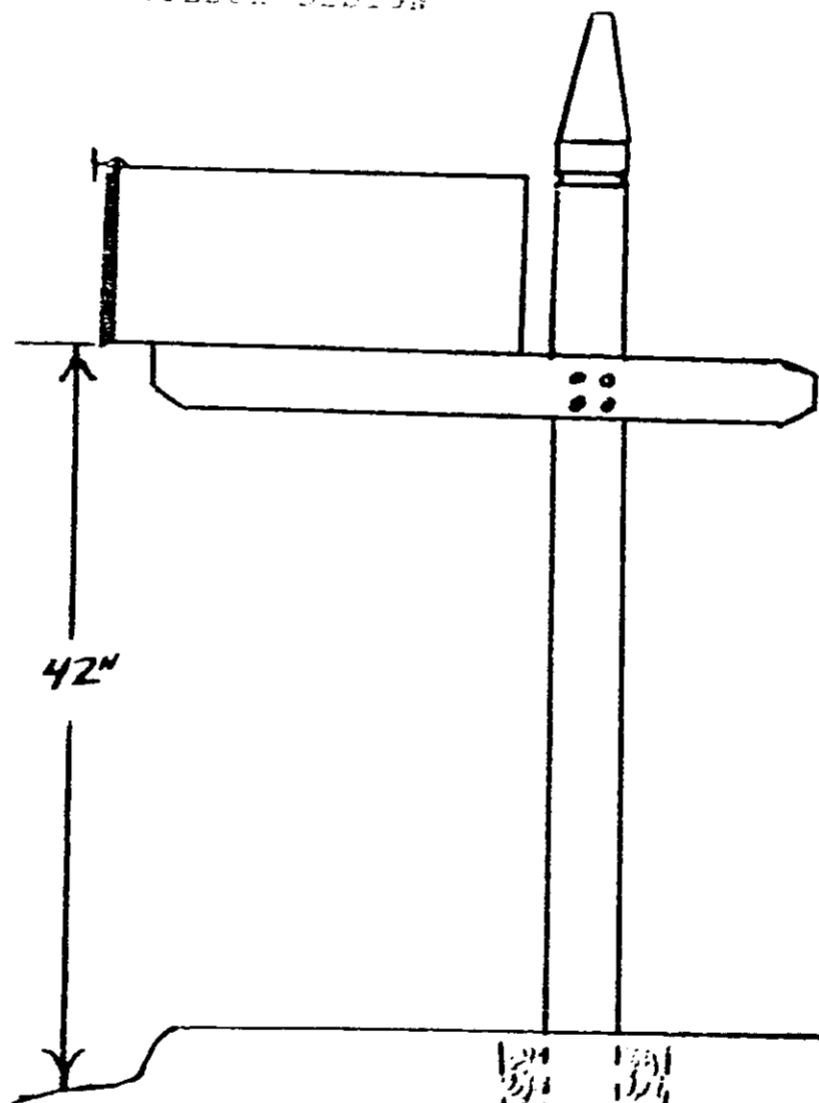


STANDARD MAILBOX DESIGN



OPERATION:

1. 4" x 4" Rough sawn cedar posts (or equal)
2. Posts to be stained grey (orbot penetrative stain) or equal
3. Factory finished black mailbox size 1-1/2" x 12" H x 21" L
4. 1-3/4" reflecting reflect numbers installed on mailbox front
5. Post to be set in stone or concrete.