

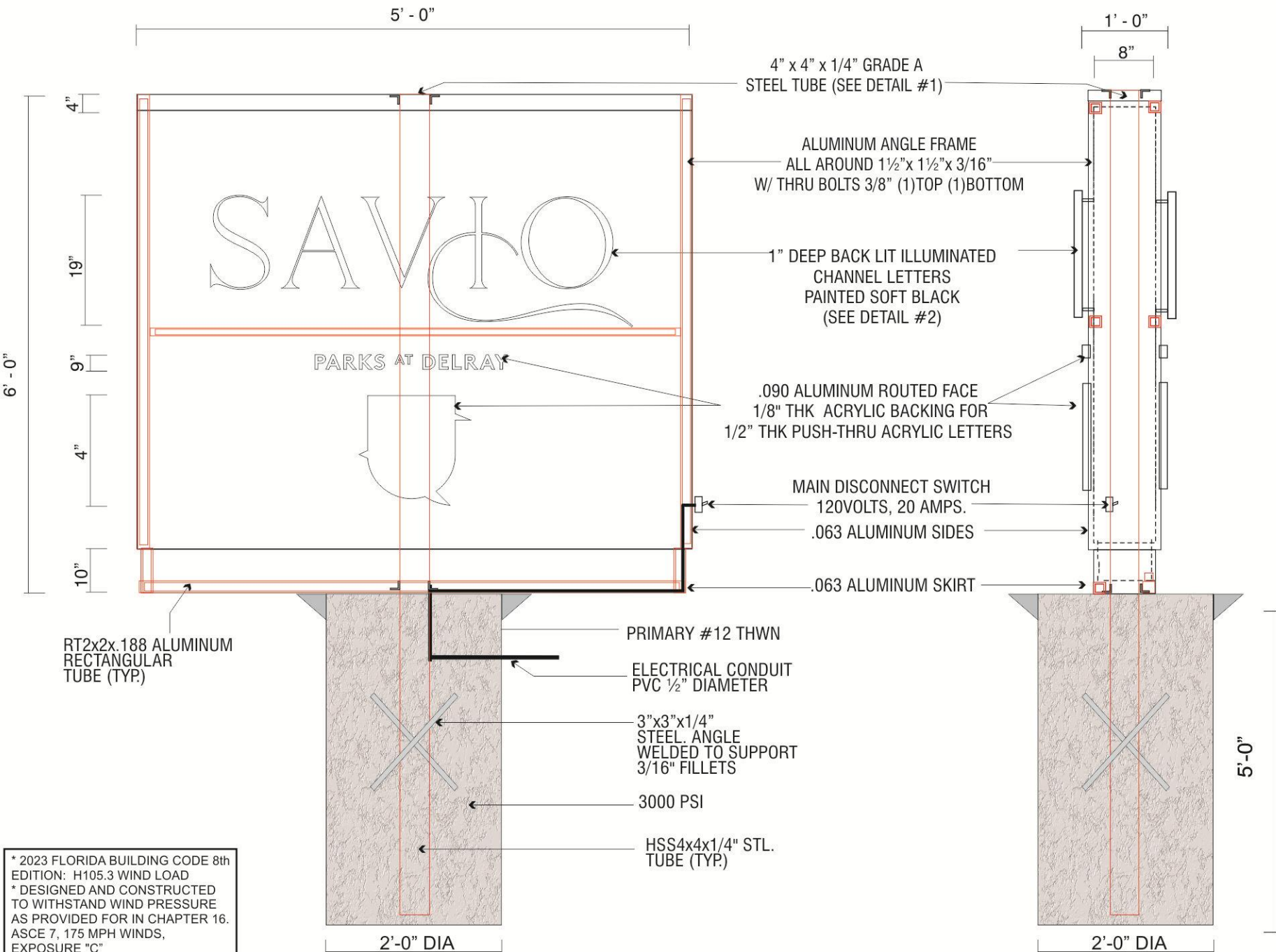
SIGNAGE 2: SECONDARY MONUMENT - ELEVATION  
NTS

(FREESTANDING)



SIGNAGE 2: SECONDARY MONUMENT - SKETCH  
NTS

(FREESTANDING)



\* 2023 FLORIDA BUILDING CODE 8th EDITION: H105.3 WIND LOAD  
 \* DESIGNED AND CONSTRUCTED TO WITHSTAND WIND PRESSURE AS PROVIDED FOR IN CHAPTER 16. ASCE 7, 175 MPH WINDS, EXPOSURE "C"

PRIMARY ELECTRICAL POWER TO SIGN TO BE BY OTHERS. ALL POWER TO BE 120 VOLT UNLESS OTHERWISE STATED.  
 ELECTRICAL TO USE U.L. LISTED COMPONENTS AND SHALL MEET ALL N.E.C. STANDARDS  
 SIGN MUST BE GROUNDED IN COMPLIANCE WITH ARTICLE 600 OF THE NATIONAL ELECTRIC CODE.

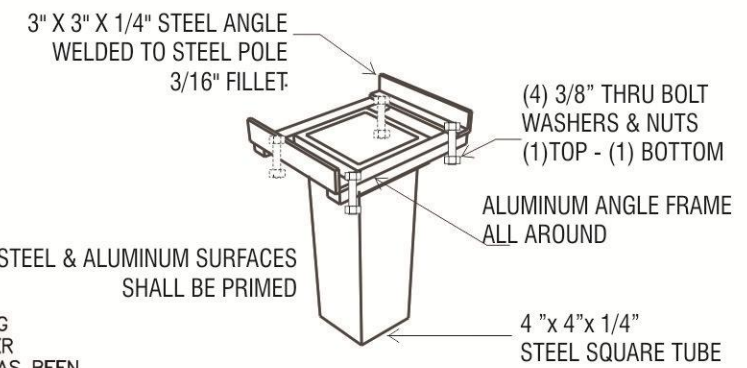
WELDING NOTE:  
 PROVIDE TYP. T BIMETALLIC TRANSITION JOINTS TO WELD ALUMINUM MEMBERS TO STAINLESS STEEL PLATES (TYP.)  
 WELDS SHALL BE INSPECTED, TESTED & CERTIFIED BY A TESTING LABORATORY.

**SOIL STATEMENT**

BASED UPON VISUAL INSPECTION BY THIS ENGINEER TO THE PROJECT SITE, THE SOIL CONSISTS OF UNDISTURBED LIMEROCK BASE MIXED WITH SAND OR SAND ROCK WITH A MAXIMUM ALLOWABLE BEARING CAPACITY OF 2000 PSF AS PER 2020 FBC. AT TIME OF EXCAVATION FOR FOUNDATIONS, THIS ENGINEER SHALL SUBMIT TO THE BUILDING OFFICIAL A SIGNED AND SEALED LETTER ATTESTING THAT THE SITE HAS BEEN OBSERVED AND THE SOIL CONDITIONS ARE SIMILAR TO THOSE UPON WHICH THE DESIGN IS BASED.

Foundation calculations are based and comply with FBC 1819.7.2.1.  
 Soil lateral capacity based on FBC2020 @ 150 psf-ft.

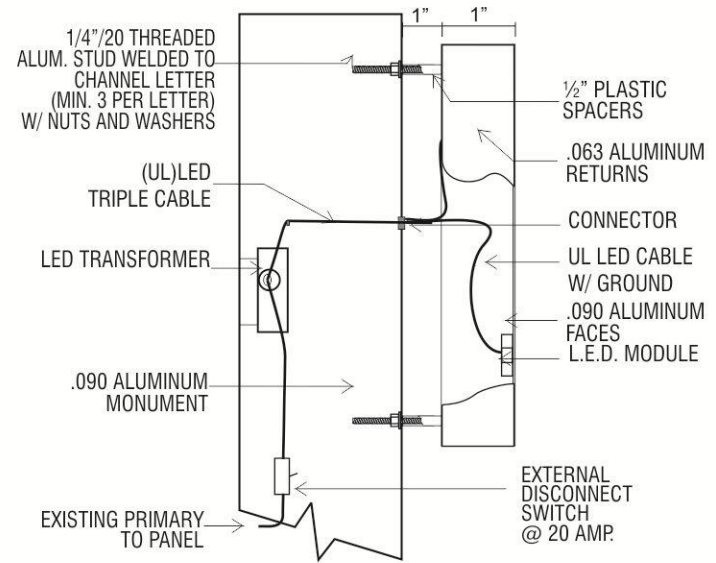
**DETAIL #1**



**COLOR INFORMATION**

- LETTERS**  
 - FACES: PAINTED SOFT BLACK  
 - RETURNS: PAINTED SOFT BLACK  
 - LED: WHITE 7500k
- CABINET:**  
 - PAINTED WHITE STONE LOOK
- SKIRT:**  
 - PAINTED WARM WHITE

**DETAIL #2**  
 BACK LIT CHANNEL LETTERS  
 INSTALLED ON ALUMINUM MONUMENT



**ELECTRICAL INFORMATION**

- (2) U.L. LED TRANSFORMER, 1.5 AMP. TOTAL LOAD 3 AMP.
- ALL ELECTRIC COMPONENTS ARE U/L LISTED
- 120 VOLTS 1/2" #12 THWN RIG WIRE
- ALL BALLAST INDIVIDUAL FUSED
- EXTERNAL AND INTERNAL DISCONNECT SWITCH
- CODES IN EFFECT ARE NEC-2020 & FBC 2023 8th EDITION**
- DEDICATED 20 AMPS CIRCUIT # BREAKER FROM ELECTRICAL PANEL
- ONE TIME CLOCK 20 AMPS FROM ELECTRICAL PANEL OR PHOTOCELL (AS PER NEC 600)
- ALL COMPONENTS PAINTED AS PER CODE
- ALL MATERIALS & FASTENERS MEET 3004.4
- ALL COMPONENTS ARE UL LABELED
- THE LOCATION OF THE DISCONNECT SWITCH AFTER INSTALLATION SHALL COMPLY WITH ARTICLE 600.6(A)(1) OF THE NATIONAL ELECTRICAL CODE (NEC)

	<b>DRAWING</b> <b>ADWAVE GRAPHICS, INC.</b> <b>EC13007700</b> 35 NW 27 AVE. MIAMI, FL 33125 T: 305.643.8020 F: 305.456.8324	JOB NAME: 13TH FLOOR PARKS AT DELRAY	ADDRESS: 2100 S Congress Ave, Delray Beach, FL 33445
	SCALE: 3/8" = 1'	CITY: CITY OF DELRAY BEACH	DESCRIPTION: SIGNAGE: DOUBLE SIDE LED ILLUMINATED MONUMENT SIGN WITH BACK-LIT ALUM. LETTERS, ALUM. ROUTED FACE AND PUSH THRU ACRYLIC LETTERS.